



Self-Propelled Telescopic Booms S™-80 & S-85

Specifications

Models	S-80		S-85	
Measurements	Metric	US	Metric	US
Working height maximum*	26.38 m	86 ft	27.90 m	91 ft
Platform height maximum	24.38 m	80 ft	25.90 m	85 ft
Horizontal reach maximum	21.80 m	71 ft 6 in	23.32 m	76 ft 6 in
Below ground reach	1.85 m	6 ft 1 in	2.89 m	9 ft 6 in
▲ Platform length - 8 ft model	0.91 m	3 ft	0.91 m	3 ft
▲ Platform length - 6 ft model	0.76 m	2 ft 6 in	0.76 m	2 ft 6 in
▲ Platform width - 8 ft model	2.44 m	8 ft	2.44 m	8 ft
▲ Platform width - 6 ft model	1.83 m	6 ft	1.83 m	6 ft
▲ Height - stowed	2.80 m	9 ft 2 in	2.80 m	9 ft 2 in
▲ Length - stowed	11.13 m	36 ft 6 in	12.20 m	40 ft
▲ Length - transport (jib tucked under)			11.60 m	38 ft
▲ Width	2.50 m	8 ft 2 in	2.50 m	8 ft 2 in
▲ Wheelbase	2.85 m	9 ft 4 in	2.85 m	9 ft 4 in
▲ Ground clearance - center	0.40 m	15.8 in	0.40 m	15.8 in

Productivity

Lift capacity	227 kg	500 lbs	227 kg	500 lbs
Platform rotation	160°	160°	160°	160°
Vertical jib rotation			135° (+ 78° / - 57°)	
Turntable rotation	360° continuous		360° continuous	
Turntable tailswing	1.42 m	4 ft 8 in	1.42 m	4 ft 8 in
Drive speed - stowed	5.3 km/h	3.3 mph	5.3 km/h	3.3 mph
- raised/extended	1.0 km/h	0.65 mph	1.0 km/h	0.65 mph
Gradeability - 2WD - stowed**	30%	30%	30%	30%
- 4WD - stowed**	45%	45%	45%	45%
Turning radius - axle extended: inside	3.66 m	12 ft	3.66 m	12 ft
outside	6.55 m	21 ft 6 in	6.55 m	21 ft 6 in
Controls	12V DC proportional		12V DC proportional	
Tyres - RT foam filled	18-625, 16 ply		18-625, 16 ply	

Power

Power source	Deutz TD2011 L04i 4 cylinder turbo diesel 74 hp (55 kW) Perkins 804D-33 4 cylinder diesel 63 hp (47 kW)			
Auxiliary power unit	12V DC	12V DC	12V DC	12V DC
Hydraulic tank capacity	151 L	40 gal	151 L	40 gal
Fuel tank capacity - diesel	132 L	35 gal	132 L	35 gal

Sound & Vibration Levels

Sound pressure level (ground workstation)	83 dBA	83 dBA	83 dBA	83 dBA
Sound pressure level (platform workstation)	71 dBA	71 dBA	71 dBA	71 dBA
Vibration	<2.5 m/s ²	<8 ft 2 in/s ²	<2.5 m/s ²	<8 ft 2 in/s ²

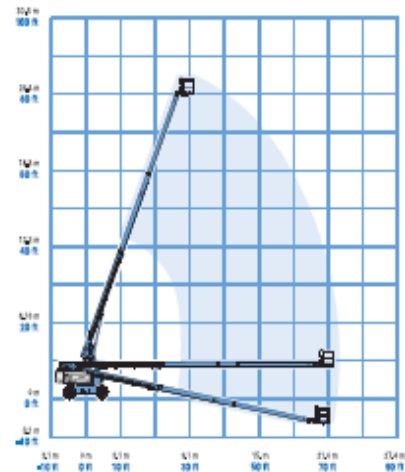
Weight***

2WD	16,057 kg	35,400 lbs	17,191 kg	37,900 lbs
4WD	16,103 kg	35,500 lbs	17,236 kg	38,000 lbs

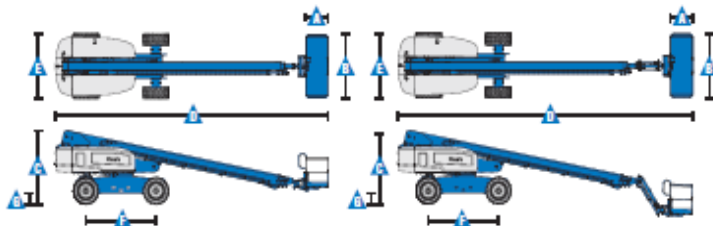
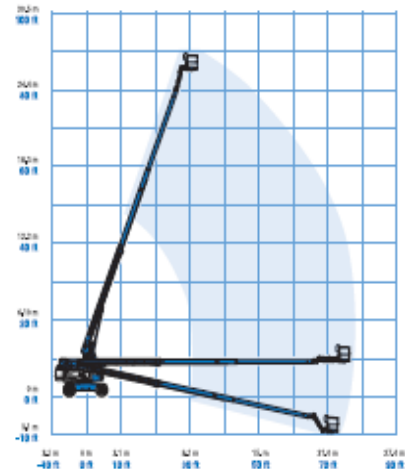
Standards Compliance

EU Directives: 2006/42/EC - Machinery (harmonized standard EN280:2001+A2:2009); 2004/108/EC (EMC); 2000/14/EC (Outdoor Noise)

Range Of Motion S-80



Range Of Motion S-85



* The metric equivalent of working height adds 2 m to platform height. U.S. adds 6 ft to platform height.
** Gradeability applies to driving on slopes. See operator's manual for details regarding slope ratings.
*** Weight will vary depending on options and/or country standards.