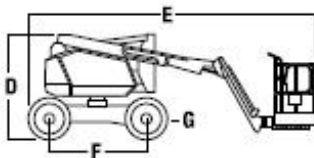
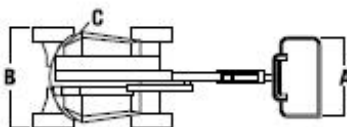
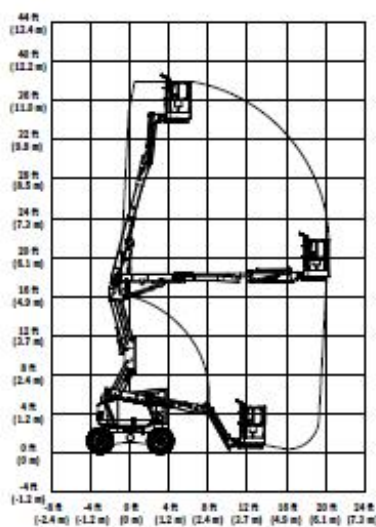




JLG 340 AJ

Model 340AJ ARTICULATING BOOM LIFTS

Specifications



Reach Specifications

Platform Height	33 ft 10 in. (10.31 m)
Horizontal Reach	19 ft 11 in. (6.06 m)
Up and Over Height	17 ft (5.17 m)
Swing	355 Degrees Non-Continuous
Platform Capacity	500 lb (227 kg)
Platform Rotator	180 Degrees° Hydraulic
Jib Length	4 ft (1.22 m)
Jib Range of Articulation	144 Degrees (+84, -60)

Dimensional Data

A. Platform Size	30 x 60 in. (0.76 x 1.22 m)
B. Overall Width	6 ft 4 in. (1.93 m)
C. Tailswing	2 in. (5.08 cm)
D. Stowed Height	6 ft 7 in. (2 m)
E. Stowed Length	18 ft 2 in. (5.52 m), 13 ft (3.96 m) with Jib Stowed
F. Wheelbase	6 ft 2 in. (1.87 m)
G. Ground Clearance	10 in. (23.7 cm)
Weight*	9,700 lb (4,400 kg)
Max. Ground Bearing Pressure	151 psi (10.6 kg/cm ²)

Chassis

Drive Speed 4WD	3.1 mph (4.98 km/h)
Gradeability 4WD	45%
Tires	265/50D20 Lug Tread
Turning Radius (Inside/Outside)	5 ft (1.52 m) / 13 ft (3.96 m)

Power Source

Dual Fuel Engine PSI/GM	28.7 hp (21.4 kW)
Diesel Engine Kubota D1105	24.8 hp (18.5 kW)
Fuel Tank Capacity	13 gal (498.2 L)
Hydraulic Reservoir	20.6 gal (77.9 L)
Auxiliary Power	12V DC

* Certain options may increase weight.



The JLG "1 & 5" Warranty

JLG Industries, Inc. backs its products with its exclusive "1 & 5" Warranty. We provide coverage on all products for one (1) full year, and cover all specified major structural components for five (5) years. Due to continuous product improvements, we reserve the right to make specification and/or equipment changes without prior notification. This machine meets or exceeds applicable OSHA Regulations in 29 CFR 1910.67, 29 CFR 1926.453, ANSI A92.5-2006, and CSA Standard CAN3-B354.2-MB2, as originally manufactured for intended applications.

